

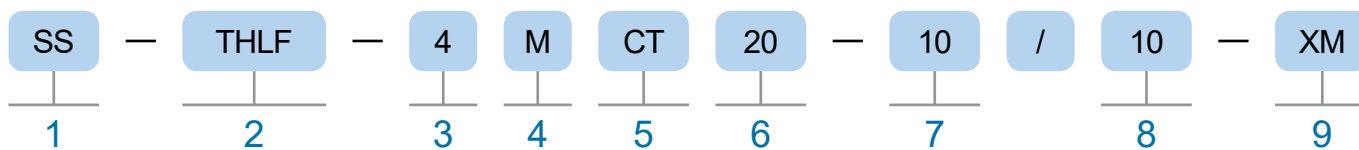
High Pressure Line Filters



THLF SERIES

- Maximum Working Pressure : Up to 20,000psi(1,380bar)
- Working Temperature Range : -40°F(-40°C) to 662°F(350°C)
- Size from 1/4" to 9/16" is available
- Cone and Thread connection

ORDERING INFORMATION



1. BODY MATERIAL

Material	Designator
316 SS	SS

2. TKF HIGH PRESSURE LINE FILTER

3. CONNECTION SIZE

Size	Designator
1/4"	4
3/8"	6
9/16"	9

4. WORKING PRESSURE

Working Pressuer	Designator
MEDIUM	M

5. CONNECTION TYPE

Inlet/Outlet Connection Type	Designator
Cone & Thread	CT

6. PRESSURE SERIES

Description	Designator
20,000 psi	20

7/8. FILTER GRADE

Size	Designator
10 µm	10

9. HOLDER MATERIAL

Description	Designator
ASTMA564 630	Blank
ASTMA276 XM-19	XM

FEAUTRES

- Each line filter is designed with two filter elements. an upstream element and a downstream element.
- Filter elements are available in the following nominal pore sizes: 10 µm.
- To order, add the filter element nominal pore sizes to the ordering information.
- Example:
For a line filter with an upstream, 10 µm filter element and a downstream, 10 µm filter elements, use ordering number: THLF-4MCT20-10/10

PRESSURE RANGES & TEMPERATURE RANGES

Pressure Range	Temperature Range
20,000 psig (1,387 bar)	-40°F (-40°C) to 662°F (350°C)

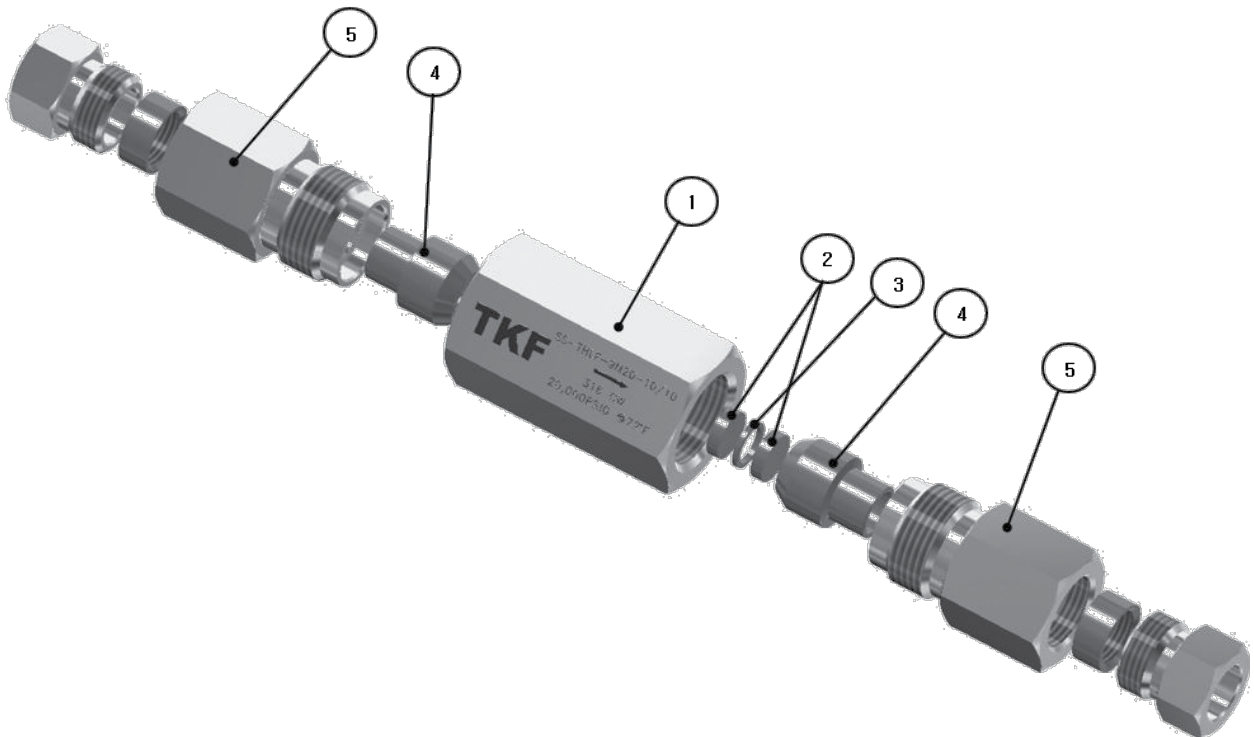
TESTING

- Line Filter is factory tested with water up to its maximum pressure rating to a requirement of no detectable leakage at the body and gland nut.

CLEANNING AND PACKAGING

- Every Components are cleaned and packaged in accordance with the standard specification of cleaning and packaging.

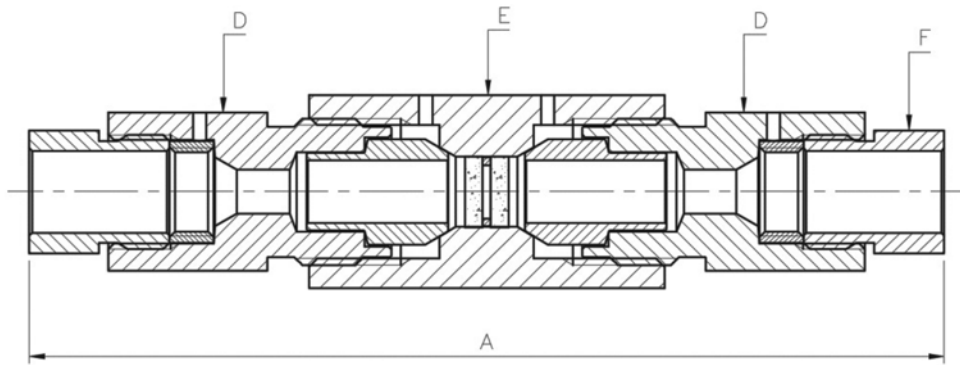
MATERIAL OF CONSTRUCTION



No.	Description	Material
		Material Grade / ASTM Specification
1	Body	316 SS CW / A479
2	Filter Element	SUS316L
3	Washer	316 SS
4	Holder	316 SS
5	Gland Nut	316 SS

HIGH PRESSURE LINE FILTERS |

DIMENSIONS



Ordering Number		End Connection		Dimensions, in. (mm)			
Series	Part No.	Inlet	Outlet	A	B	C	K
THLF	4MCT20	1/4" Cone & Thread		4.8	7/8	1	1/2
	6MCT20	3/8" Cone & Thread		4.8	7/8	1	5/8
	9MCT20	9/16" Cone & Thread		6.5	1 1/8	1 3/8	7/8