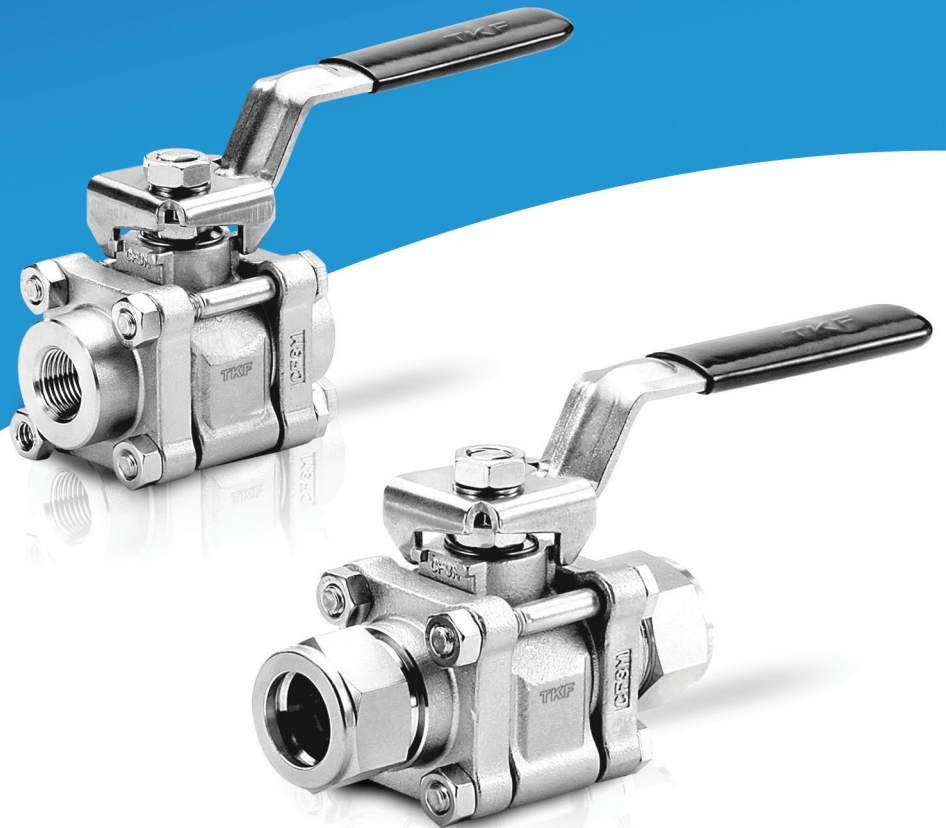


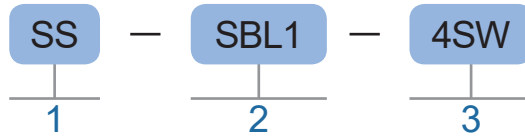
Three Pieces Ball Valves



SBL SERIES

- Maximum Working Pressure : 2,200 psig (151 bar) @ 100°F (37°C)
- Working Temperature Range : -20°F (-28°C) to 302°F (150°C)

ORDERING INFORMATION



THREE PIECES BALL VALVES

GI PRODUCTS / BALL VALVE SERIES

1. BODY MATERIAL

Material	Designator
316 SS	SS

2. VALVE SERIES

Orifice Size	Designator
4.8mm, 6.4mm, 7.1mm	SBL1
9.5mm, 10.3mm, 13.1mm	SBL2
22.2mm	SBL3

* The Orifice Size is determined using valves with TKF tube fitting end connections.
 * For more details, See the Dimensions Table.

3. INLET / OUTLET CONNECTION SIZE & TYPE

Inlet / Outlet Connection Size	Designator	Inlet / Outlet Connection Type	Designator
1/4"	4	Lok	SW
3/8"	6	Female NPT	NF
1/2"	8	Female ISO® Tapered	PTF
3/4"	12		
1"	16		
6mm	6M		
8mm	8M		
10mm	10M		
12mm	12M		

① Refer to specifications ISO 7/1, BS EN 10226-1, DIN-2999, and JIS B0203.

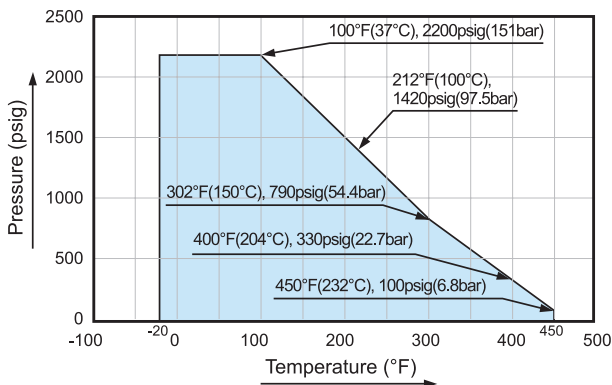
FEATURES

1. Large flowrate with 3 pieces body.
2. ON-OFF by operation of quarter turn.
3. End Connections : T-LOK Type, Rc, NPT Female



TECHNICAL DATA

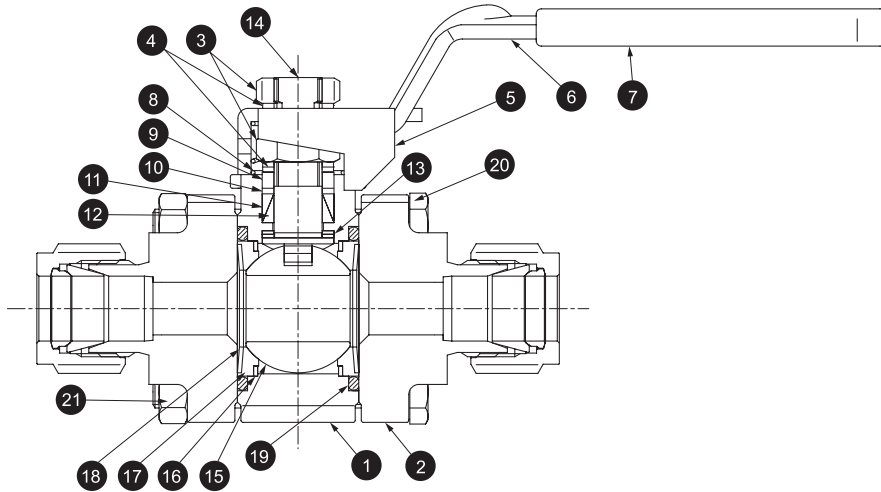
TEMPERATURE AND PRESSURE RATING



APPLICABLE FLUID

Air, Nitrogen gas, Inert gas like Helium, and non-corrosive gas and liquid.

MATERIALS OF CONSTRUCTION

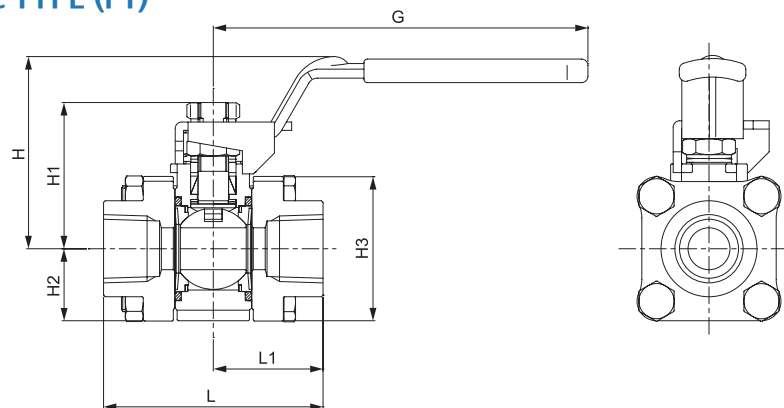


No.	Description	Materials	No.	Description	Materials
1	BODY ※	CF3M / A351	12	BOTTOM PACKING ※	C - PTFE
2	FLANGE ※	CF3M / A351	13	STEM BEARING ※	316 SS
3	STEM NUT	316 SS / A276	14	STEM ※	316 SS / A240
4	STEM SPRING	304 SS - CSP	15	BALL ※	316 SS / A240 OR CF8M / A351
5	STOP PLATE	304 SS / A240			
6	HANDLE	304 SS / A240	16	SUPPORT RING ※	316 SS / A240
7	HANDLE SLEEVE	VINYL	17	SEAT ※	C - PTFE
8	EARTH SPRING	302 SS / A313	18	SEAT SPRING ※	304 SS - CSP
9	GLAND	316 SS / B783	19	O-RING ※	FKM
10	PACKING SUPPORT	PEEK	20	BOLT	316 SS
11	TOP PACKING ※	C - PTFE	21	BOLT NUT	316 SS

※ : Wetted Parts

DIMENSIONS

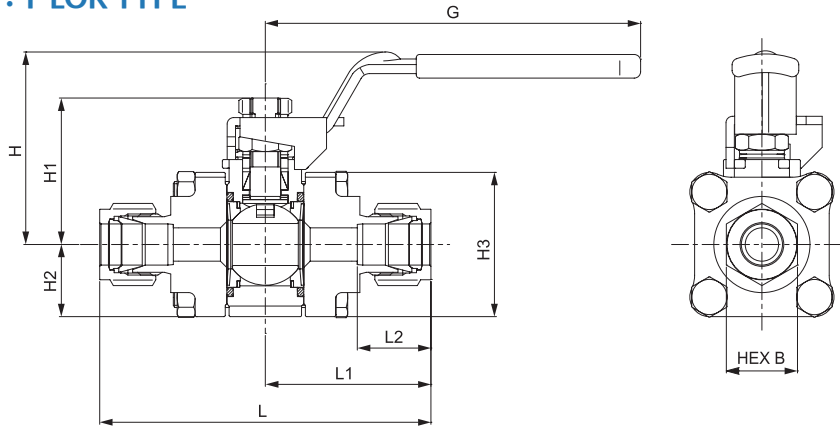
END CONNECTION : RC TYPE (PT)



Ordering Number		Orifice in. (mm)	Cv	End Connections		Dimensions in. (mm)					
Series	Part No.			Inlet	Outlet	L	L1	H	H1	H2	H3
SBL1	4PTF	0.280 (7.1)	3.8	1/4" Female ISO® Tapered	2.16 (54.9)	1.08 (27.4)	1.66 (42.2)	1.26 (32.0)	0.68 (17.3)	1.35 (34.3)	2.37 (60.2)
SBL2	6PTF	0.516 (13.1)	12	3/8" Female ISO® Tapered	2.70 (68.6)	1.34 (34.3)	2.35 (59.7)	1.79 (45.5)	0.89 (22.6)	1.78 (45.2)	4.49 (114)
	8PTF	0.516 (13.1)	12	1/2" Female ISO® Tapered	2.70 (68.6)	1.34 (34.3)	2.35 (59.7)	1.79 (45.5)	0.89 (22.6)	1.78 (45.2)	4.49 (114)
SBL3	12PTF	0.874 (22.2)	31	3/4" Female ISO® Tapered	3.59 (91.2)	1.80 (45.7)	2.94 (74.7)	2.52 (64.0)	1.25 (31.8)	2.50 (63.5)	5.98 (152)
	16PTF	0.874 (22.2)	38	1" Female ISO® Tapered	4.45 (113.0)	2.23 (56.6)	2.94 (74.7)	2.52 (64.0)	1.25 (31.8)	2.50 (63.5)	5.98 (152)

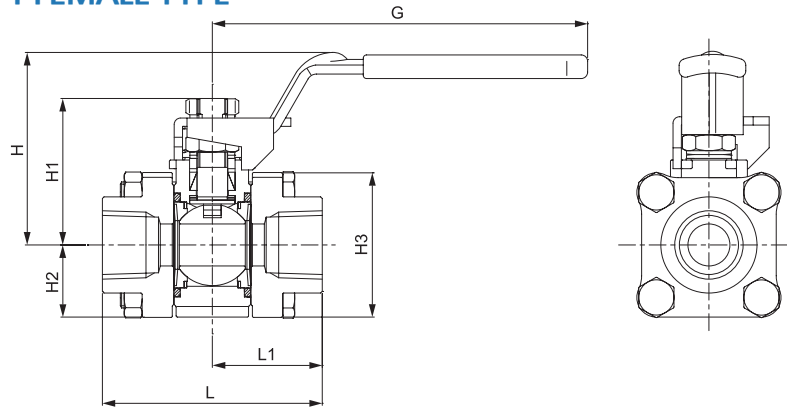
DIMENSIONS

END CONNECTION : T-LOK TYPE



Ordering Number		Orifice in. (mm)	Cv	End Connections		Dimensions in. (mm)								
Series	Part No.			Inlet	Outlet	L	L1	L2	B	H	H1	H2	H3	G
SBL1	4SW	0.189 (4.8)	1.2	1/4" Lok	3.17 (80.5)	1.59 (40.4)	0.6 (15.2)	9/16 in.	1.66 (42.2)	1.26 (32.0)	0.68 (17.3)	1.35 (34.3)	2.37 (60.2)	
	6SW	0.280 (7.1)	3.8	3/8" Lok	3.17 (80.5)	1.59 (40.4)	0.66 (16.8)	11/16 in.	1.66 (42.2)	1.26 (32.0)	0.68 (17.3)	1.35 (34.3)	2.37 (60.2)	
SBL2	8SW	0.406 (10.3)	7.5	1/2" Lok	4.04 (103)	2.02 (51.3)	0.9 (22.9)	7/8 in.	2.35 (59.7)	1.79 (45.5)	0.89 (22.6)	1.78 (45.2)	4.50 (114)	
	12SW	0.516 (13.1)	13.6	3/4" Lok	4.04 (103)	2.02 (51.3)	0.96 (24.4)	1-1/8 in.	2.35 (59.7)	1.79 (45.5)	0.89 (22.6)	1.78 (45.2)	4.50 (114)	
SBL3	16SW	0.874 (22.2)	40	1" Lok	5.36 (136.0)	2.68 (68.1)	1.23 (31.2)	1-1/2 in.	2.94 (74.7)	2.52 (64.0)	1.25 (31.8)	2.50 (63.5)	6.0 (152)	
SBL1	6M	0.189 (4.8)	1.2	6mm Lok	3.17 (80.5)	1.59 (40.4)	0.6 (15.3)	0.55 (14)	1.66 (42.2)	1.26 (32.0)	0.68 (17.3)	1.35 (34.3)	2.37 (60.2)	
	8M	0.252 (6.4)	2.5	8mm Lok	3.17 (80.5)	1.59 (40.4)	0.64 (16.2)	0.63 (16)	1.66 (42.2)	1.26 (32.0)	0.68 (17.3)	1.35 (34.3)	2.37 (60.2)	
	10M	0.280 (7.1)	3.8	10mm Lok	3.20 (81.3)	1.60 (40.6)	0.68 (17.2)	0.75 (19)	1.66 (42.2)	1.26 (32.0)	0.68 (17.3)	1.35 (34.3)	2.37 (60.2)	
SBL2	12M	0.374 (9.5)	7.5	12mm Lok	4.04 (103)	2.02 (51.3)	0.9 (22.8)	0.87 (22)	2.35 (59.7)	1.79 (45.5)	0.89 (22.6)	1.78 (45.2)	4.50 (114)	

END CONNECTION : NPT FEMALE TYPE



Ordering Number		Orifice in. (mm)	Cv	End Connections		Dimensions in. (mm)						
Series	Part No.			Inlet	Outlet	L	L1	H	H1	H2	H3	G
SBL1	4NF	0.280 (7.1)	3.8	1/4" Female NPT	2.16 (54.9)	1.08 (27.4)	1.66 (42.2)	1.26 (32.0)	0.68 (17.3)	1.35 (34.3)	2.37 (60.2)	
SBL2	6NF	0.516 (13.1)	12	3/8" Female NPT	2.70 (68.6)	1.34 (34.3)	2.35 (59.7)	1.79 (45.5)	0.89 (22.6)	1.78 (45.2)	4.49 (114)	
	8NF	0.516 (13.1)	12	1/2" Female NPT	2.70 (68.6)	1.34 (34.3)	2.35 (59.7)	1.79 (45.5)	0.89 (22.6)	1.78 (45.2)	4.49 (114)	
SBL3	12NF	0.874 (22.2)	31	3/4" Female NPT	3.59 (91.2)	1.80 (45.7)	2.94 (74.7)	2.52 (64.0)	1.25 (31.8)	2.50 (63.5)	5.98 (152)	
	16NF	0.874 (22.2)	38	1" Female NPT	3.59 (91.2)	1.80 (45.7)	2.94 (74.7)	2.52 (64.0)	1.25 (31.8)	2.50 (63.5)	5.98 (152)	